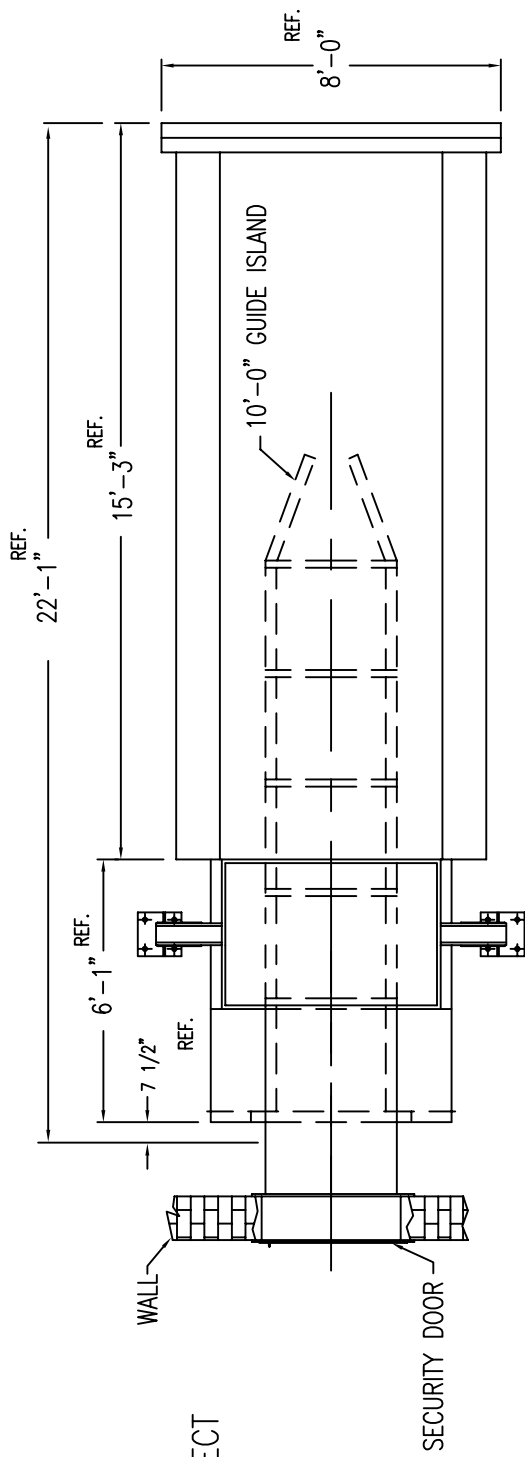
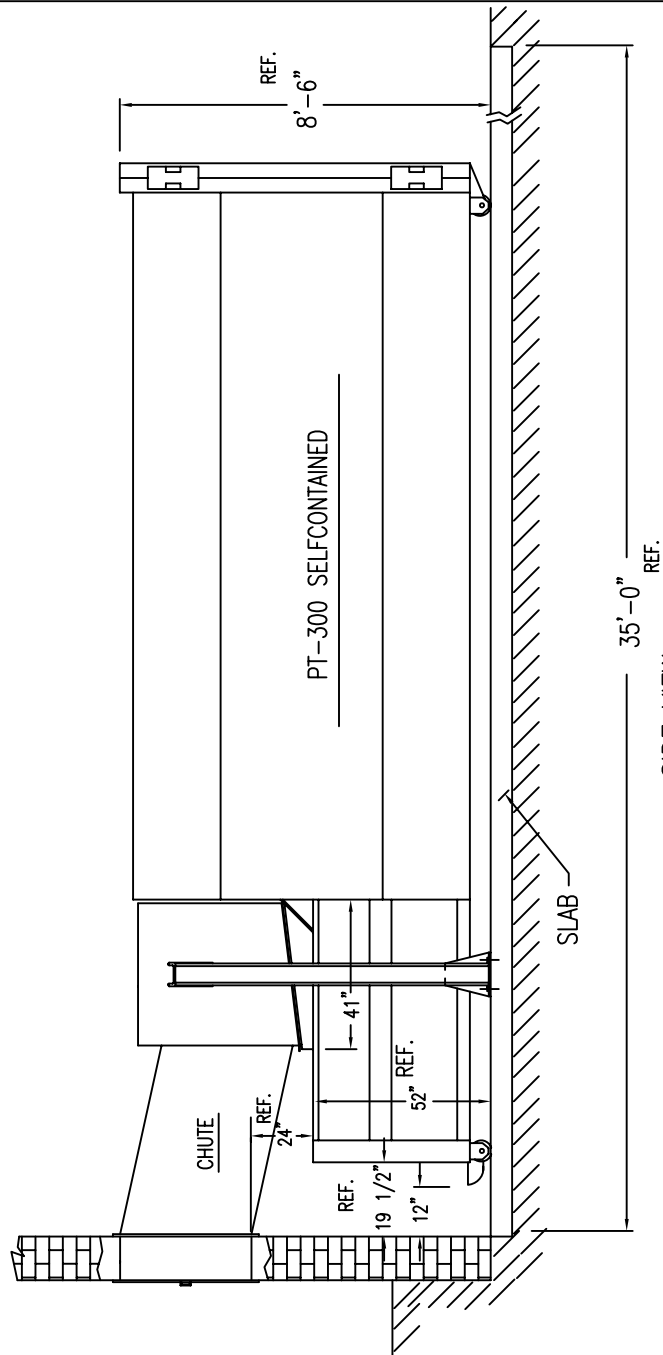


# PTR BALER & COMPACTOR

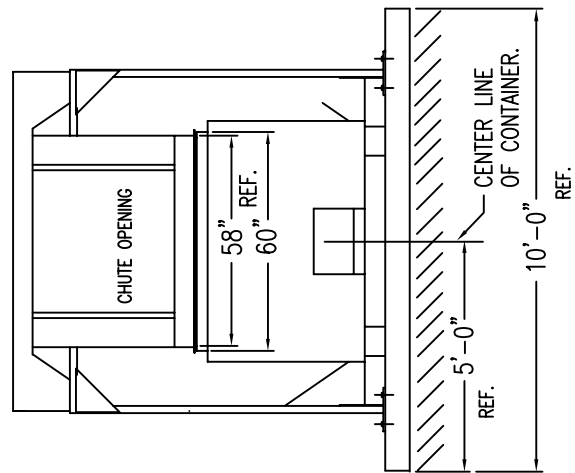
ELECTRICAL  
 220V / 3 PHASE  
 60 AMP. WALL DISCONNECT  
 TIME DELAY FUSES



TOP VIEW



SIDE VIEW



REAR VIEW

PAD MAT'L: MIN. 3000 CONCRETE WITH 12GA. SCREEN 6" SQ. MIN 6" THICK